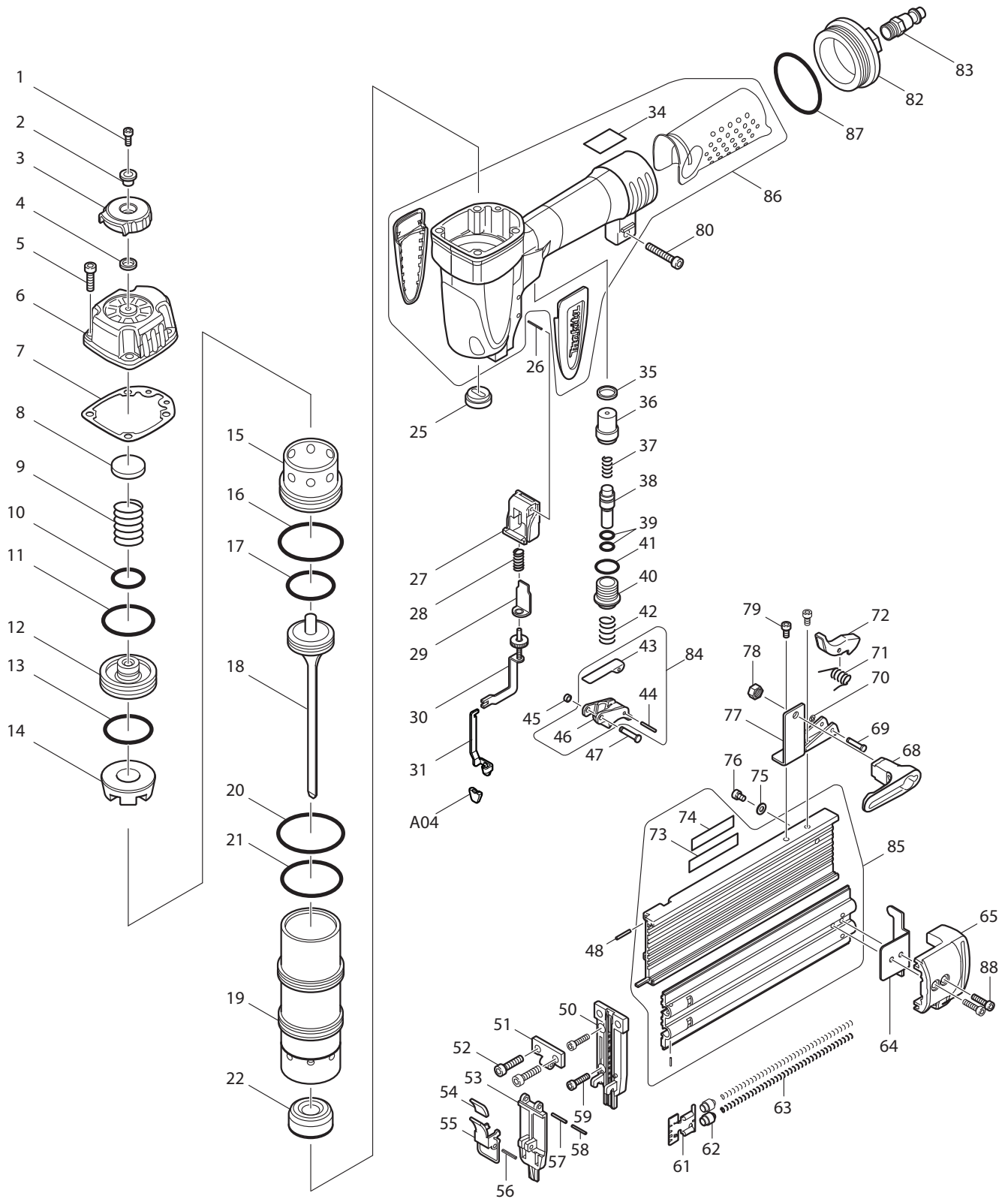




05 - 2014
AF505N
BRAD NAILER, 18GA



Item No.	Part No.	Description	Qty	Unit
1	HY00000001	HEX.SOCKET HEAD BOLT M4X10	1	PC.
2	HY00000002	SLEEVE4	1	PC.
3	HY00000003	EXHAUST COVER	1	PC.
4	HY00000004	RUBBER WASHER 7	1	PC.
5	HY00000005	HEX.SOCKET HEAD BOLT M5X20	4	PC.
6	HY00000006	TOP CAP	1	PC.
7	HY00000007	TOP CAP GASKET	1	PC.
8	HY00000008	CUSHION V	1	PC.
9	HY00000009	COMPRESSION SPRING 7	1	PC.
10	HY00000010	O-RING 12	1	PC.
11	HY00000011	O-RING 33	1	PC.
12	HY00000012	HEAD VALVE	1	PC.
13	HY00000013	O-RING 29	1	PC.
14	HY00000014	CUSHION P	1	PC.
15	HY00000015	CYLINDER SEPARATER	1	PC.
16	HY00000016	O-RING 46	1	PC.
17	HY00000017	O-RING 24	1	PC.
18	HY00000018	DRIVER COMPLETE	1	PC.
19	HY00000019	CYLINDER	1	PC.
20	HY00000020	O-RING 36	2	PC.
21	HY00000021	O-RING 31	1	PC.
22	HY00000022	CUSHION F	1	PC.
25	HY00000023	FRONT SEAL	1	PC.
26	HY00000024	SPRING PIN 3-26	1	PC.
27	HY00000025	HOLDER	1	PC.
28	HY00000026	COMPRESSION SPRING 5	1	PC.
29	HY00000027	STOPPER	1	PC.
30	HY00000028	CONTACTARM COMPLETE	1	PC.
31	HY00000377	CONTACT TOP	1	PC.
34	HY00000093	CAUTION LABEL	1	PC.
35	HY00000033	RUBBER RING 8	1	PC.
36	HY00000034	TRIGGER VALVE GUIDE	1	PC.
37	HY00000035	COMPRESSION SPRING 4	1	PC.
38	HY00000036	TRIGGER VALVE STEM	1	PC.
39	HY00000037	O-RING 3	2	PC.
40	HY00000038	TRIGGER VALVE CASE	1	PC.
41	HY00000039	O-RING 11	1	PC.
42	HY00000040	COMPRESSION SPRING 10	1	PC.
43	HY00000041	IDLER	1	PC.
44	HY00000042	SPRING PIN 2.5-17	1	PC.
45	HY00000043	RUBBER RING 2	1	PC.
46	HY00000044	TRIGGER	1	PC.
47	HY00000045	PIN 3	1	PC.
48	HY00000046	PIN 2	2	PC.
50	HY00000047	DRIVER GUIDE	1	PC.
51	HY00000048	PLATE	1	PC.
52	HY00000049	HEX.SOCKET HEAD BOLT M5X22	2	PC.
53	HY00000050	DOOR	1	PC.
54	HY00000051	CAP	1	PC.
55	HY00000052	LEVER COMPLETE	1	PC.
56	HY00000053	SPRING PIN 2.5-16	1	PC.
57	HY00000054	SPRING PIN 2.5-18	1	PC.
58	HY00000055	SPRING PIN 1.5-18	1	PC.
59	HY00000056	HEX.SOCKET HEAD BOLT M4X16	4	PC.
61	HY00000057	PUSHER	1	PC.
62	HY00000058	PIN 7	2	PC.
63	HY00000059	COMPRESSION SPRING 6	2	PC.
64	HY00000060	MAGAZINE PLATE	1	PC.
65	HY00000061	SLIDE DOOR COVER	1	PC.
68	HY00000062	HOOK	1	PC.
69	HY00000063	PIN 3	1	PC.
70	HY00000064	STOP RING (EXT) E-2.5	1	PC.

Item No.	Part No.	Description	Qty	Unit
71	HY00000065	TORSION SPRING	1	PC.
72	HY00000066	LOCK LEVER	1	PC.
73	HY00000067	CAUTION LABEL	1	PC.
74	HY00000069	CAUTION LABEL	1	PC.
75	HY00000070	WASHER	1	PC.
76	HY00000071	HEX.SOCKET HEAD BOLT M4X6	1	PC.
77	HY00000072	JOINT	1	PC.
78	HY00000073	HEX.LOCK NUT M5	1	PC.
79	HY00000074	HEX.SOCKET HEAD BOLT M4X8	2	PC.
80	HY00000075	HEX.SOCKET HEAD BOLT M5X30	1	PC.
82	HY00000076	INLET CAP	1	PC.
83	HY00000079	ONE TOUCH JOINT	1	PC.
84	HY00000083	TRIGGER COMPLETE	1	PC.
	INC.	Item No. 43,44,46		
85	HY00000084	MAGAZING ASSY	1	PC.
	INC.	Item No. 73,74		
86	HY00000087	HOUSING COMPLETE	1	PC.
	INC.	Item No. 34		
87	HY00000020	O-RING 36	1	PC.
88	HY00000056	HEX.SOCKET HEAD BOLT M4X16	4	PC.
C01	HY00000380	CARTON F/AF505N	1	PC.
<u>ACCESSORIES</u>				
A01	HY00000090	PLASTIC CARRYING CASE	1	PC.
A02	195246-2	SAFETY GOGGLES	1	PC.
A03	181434-7	OIL SUPPLY 30CC	1	PC.
A04	HY00000378	NOSE ADAPTER	1	PC.